

# spectratherm<sup>TM</sup> SHORT WAVE INFRA-RED CURING

## OVERHEAD TRACK & RAIL SYSTEMS



*"...the Spectratek<sup>TM</sup> Overhead Track System has increased my shop's productivity and profitability. To survive in this increasingly competitive market you'll need this system...."*

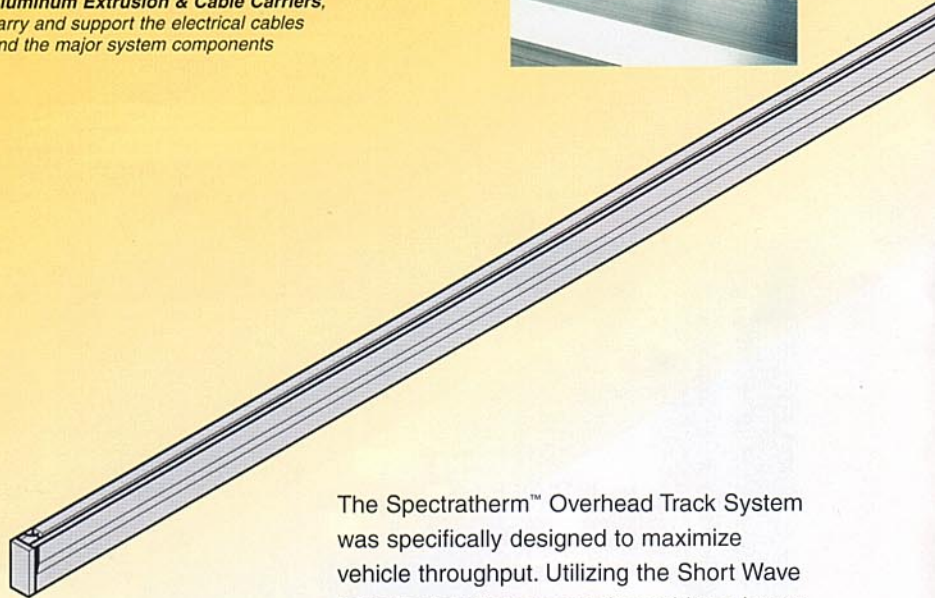
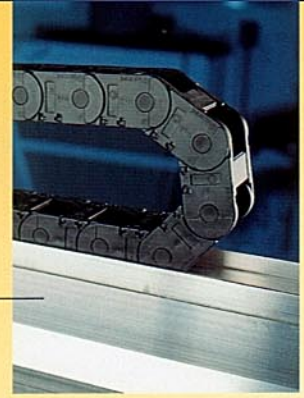
Ken Friesen, Concours AutoBody

  
**spectratek<sup>TM</sup>**

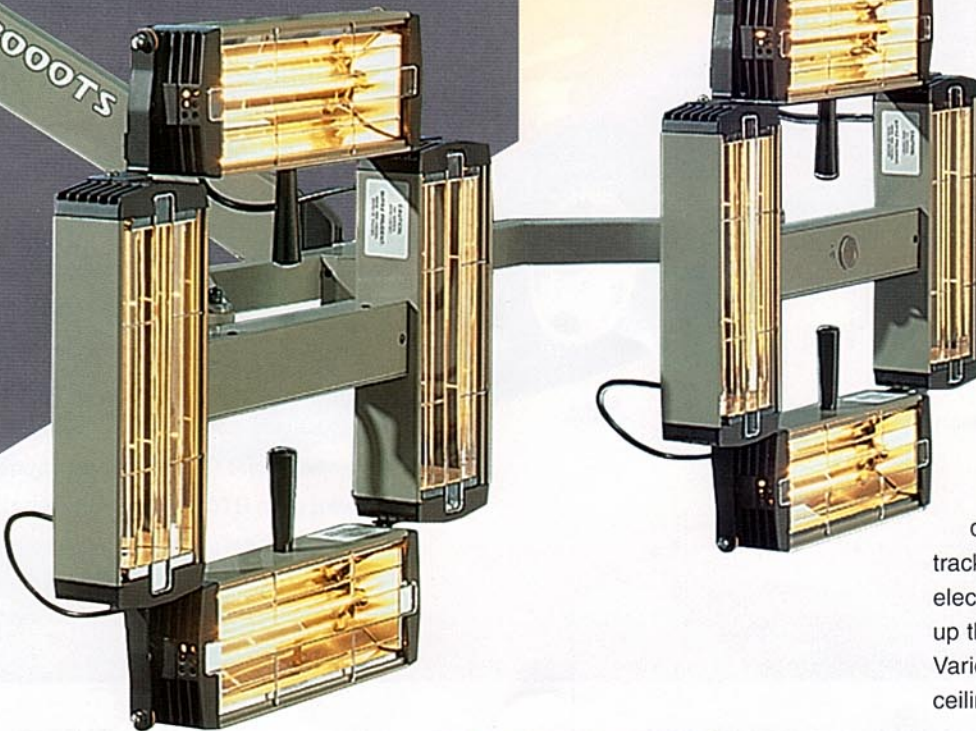
**spectratherm<sup>TM</sup> 8000TS**  
**spectratherm<sup>TM</sup> 16000TS**  
**spectratherm<sup>TM</sup> 16000TSH**  
**spectratherm<sup>TM</sup> 8000RS**

**T**he Collision Repair industry is experiencing ever increasing competitive forces. At Spectratek™ we recognize that shop owners need more innovative solutions to help increase productivity and maintain profitability. With this in mind we developed the Spectratherm™ Overhead Track System, a key element in a winning formula, allowing shop owners to beat their competition.

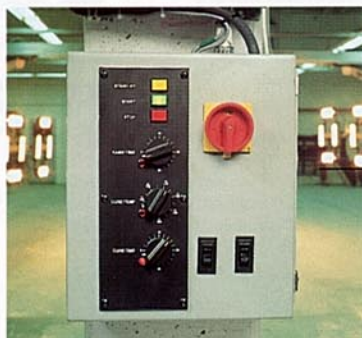
*Aluminum Extrusion & Cable Carriers, carry and support the electrical cables and the major system components*



The Spectratherm™ Overhead Track System was specifically designed to maximize vehicle throughput. Utilizing the Short Wave Infra-Red curing process it combines; lamps, unique reflectors, lamp array, and Thermal Integrated Sensor System (TISS) to significantly reduce standard curing and drying times. The Short Wave Infra-Red curing heads are suspended from an overhead track system, freeing up valuable floor space. An easy glide bridge assembly makes positioning the curing heads, on any panel of a vehicle, effortless. There is no need to maneuver portable floor systems between tightly spaced vehicles, eliminating any fear of vehicle damage. The innovative track design and its cable carrier allow the track system to span multiple bays, no more electric cables dragging along or cluttering up the floor. Various options are available, floor mount, ceiling mount or a combination of both.



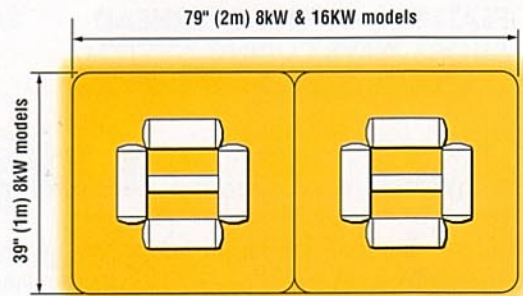
**spectratek™**



*Control Box, is independent, and can be positioned on a nearby wall, column, or be free standing*

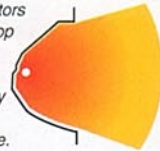
### EFFICIENT LAMP UNITS

The high-temperature halogen lamps, unique reflector and lamp array are all positioned for absolute uniform heat distribution over the largest curing area. In addition, individual lamps can be angled to more closely match the curve of the vehicle.



For optimum performance lamp heads should be left in the closed position (as illustrated above).

The reflectors that envelop the lamps direct all the energy towards the vehicle.



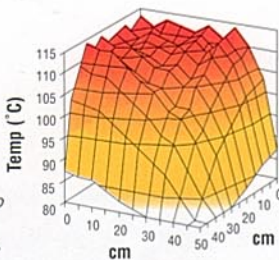
Hand held controller, drops down from the movable curing head arm, which allows precise positioning of the curing heads



Thermal Integrated Sensor System (TISS)

TISS takes the guesswork out of the most critical aspects of proper curing. Paint can be cured on or adjacent to plastic parts without fear of melting or warping the plastic parts.

- TISS helps position the curing unit for optimum heating with an ultrasonic sensor.
- The sensor beeps when the unit is too close or too far away and becomes a continuous tone when the unit is at the ideal distance from the vehicle.
- An integrated timer allows the operator to preset ramp times.
- State of the art optical sensor and electronics regulate the heating temperatures based on the panel temperature desired. TISS independently maintains a constant temperature thereby ensuring the highest quality finish, even with a novice operator, without fear of over baking heat sensitive substrates.

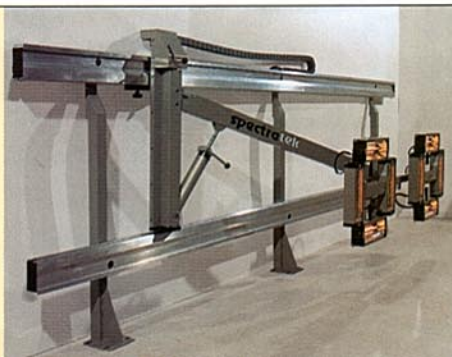


Temperature distribution for Spectratek™ lamp array (based on 1/4 of total area).

Spectratek's Thermal Integrated Sensor System (TISS) allows the operator of the Overhead Track System to harness the incredible power of Short Wave Infra-Red (SWIR) technology, without the overheating problems associated with the other curing systems.

## spectratherm 8000RS

Spectratek's Rail System uses the Short Wave Infra-Red technology combined with TISS, to offer a versatile and convenient curing system. Either floor mounted or wall mounted, it features a unique positioning lever, an outside control panel, a protective cover, an air operated ram and Spectratek™ lamp array.



## FEATURES OF THE OVERHEAD SHORT WAVE CURING SYSTEM

- Excellent maneuverability
- Short, controlled curing times

PAINT MATERIAL	TOTAL CURING TIME
Top Coat	7-10 minutes
Non-Sanding	2-7 minutes
Water-Thinnable Filler	7-9 minutes
Primer	3-8 minutes
Polyester Filler/Stopper	2-3 minutes

- Largest uniform cure area - no hot or cold spots
- Lower purchase and running costs than other conventional methods
- Highest quality components
- Compact, modular design
- Designed and built in North America
- Strong, stable and rugged construction
- Built-in safety features
- Easy to move with an effortless easy glide bridge system
- Efficient on space utilization
- Easy to use and install
- Designed for long-life and covered by a comprehensive warranty
- Robust, reliable electronics, designed for the harshest environment

## A MODEL TO SUIT YOUR NEEDS

Spectratek™ Short Wave Infra-Red systems are designed to suit a wide range of applications. Spectratek™ offers the:

- Spectratherm™ 1200S (1.2kW 110V-240V)
- Spectratherm™ 4000 (4kW 200V-240V)
- Spectratherm™ 4000S (4kW 200V-240V)
- Spectratherm™ 8000 (8kW 200V-240V)
- Spectratherm™ 8000S (8kW 200V-240V)
- Spectratherm™ 8000RS (8kW 208V-480V)
- Spectratherm™ 8000TS (8kW 208V-480V)
- Spectratherm™ 16000TS (16kW 208V-480V)
- Spectratherm™ 16000TSH (High Output 16kW 230V-480V)

## SOLID BACKING BY EXPERTS IN THE INDUSTRY

The founders of Spectratek™ have years of experience in the automotive paint field and the highest level of technical expertise in Short Wave Infra-Red technology as it applies to the automotive industry.

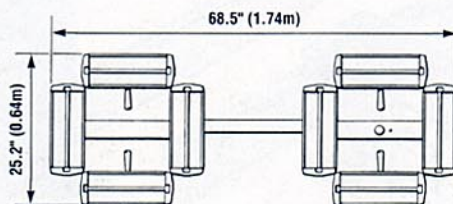
Spectratek™ is committed to developing the highest quality products and invests in extensive research, development, and testing. Ongoing research ensures that the products we develop will continue to effectively meet the needs of the collision repair industry today and in the future.

All Spectratek™ products are supported by fully qualified service and distribution facilities. Servicing can be conducted on-site to minimize downtime and cost.

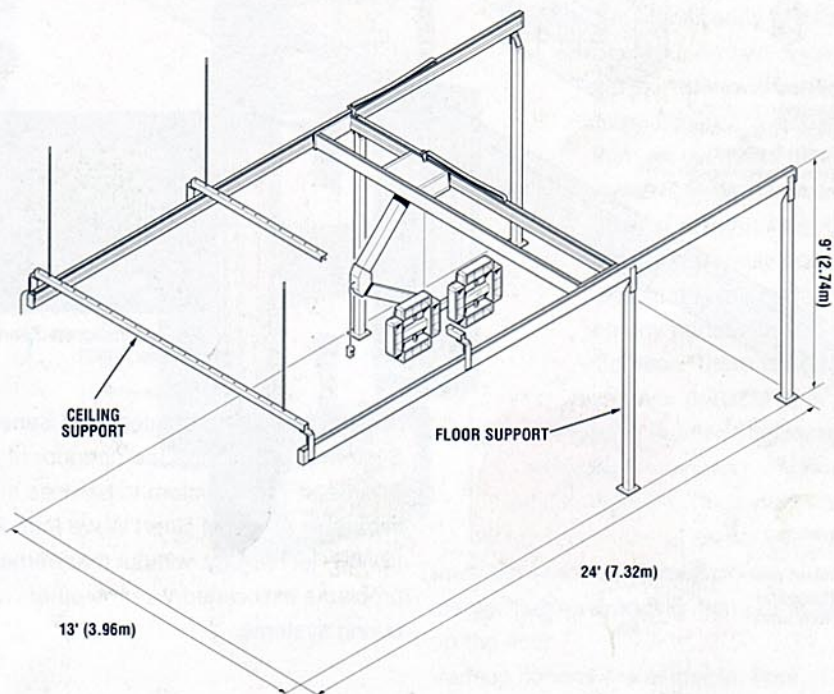
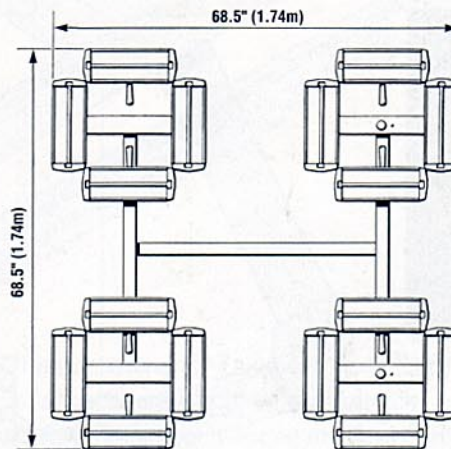
Contact Spectratek™ today.

*Due to our commitment to quality and service, design & specifications may change without notice.*

8000TS MODEL (8kW)



16000TS MODEL (16kW)



Distributor

Spectratek Industries Inc.  
1555 Cliveden Avenue, Annacis Island, Delta,  
BC, Canada V3M 6P7 Toll Free: 1.800.661.1766  
Tel: 604.717.8500 Fax: 604.717.8501